



SEZ industrial sockets, plugs and connectors have been designed to connect electrical devices to low voltage electric energy in civil engineering, electric assembly sector, engineering industry, etc. Sockets and plugs are available in the following ranges:

- nominal current: 16 A, 32 A, 63 A, 125 A
- nominal voltage: 110 V ~, 230 V ~, 400 V ~, 500 V ~
- nominal frequency: 50 Hz and 60 Hz
- degree of protection: IP 44, IP 54, IP 67
- number of poles: 3P (2P + PE), 4P (3P + PE), 5P (3P + N + PE)
- operating temperature: - 25 °C to + 55 °C
- halogen-free material in compliance with EN 60754-2

Our sockets, plugs and connectors are manufactured under the European standards EN 60309 – 1, 2 which comply with an international recommendation IEC 60309 – 1, 2.

Identification colour

red

Nominal current

32 A

Nominal voltage

400 V ~

Frequency

50/60 Hz

Degree of protection

IP44

No. of pole

3P + N + PE

Earth hour position

6 h

Connection system

screws

Flexible conductors

 2,5 - 6 mm²

Surface treatment contacts

passivated brass

Operating temperature

-25 °C to +55 °C

Glow wire test (GWT)

850 °C (active parts)

650 °C (passive parts)

Thermo-pressure with ball

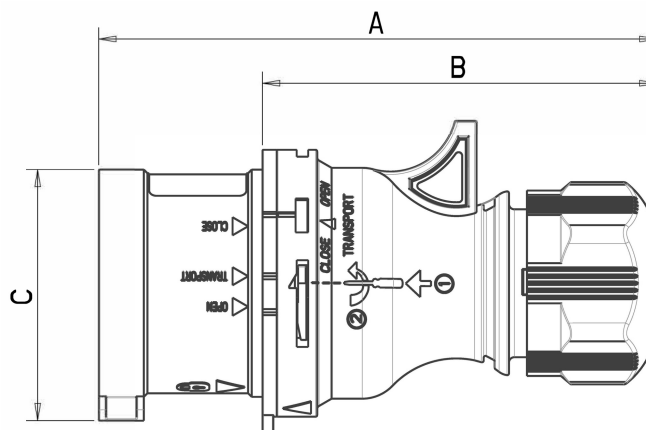
125 °C (active parts)

80 °C (passive parts)

Insulation resistance

> 10 MΩ

Dimensional drawing



			(mm)			
Amp	Poles	Ord. No.	A	B	C	R
32	5	100017	150	105	70	11,0 - 20

R - sealing range

Technical symbols



screws


 125 °C (active parts)
 80 °C (passive parts)


-25 °C to +55 °C

GWT

 850 °C (active parts)
 650 °C (passive parts)

IP

IP44

Standards/Approvals


 IEC 60309-1, - 2
 STN EN 60309-1, - 2

